

**HALE**  
SOLID. SINCE 1907.

Project Name

Title  
**OVERALL**

Job Info

Engineer  
**admin**

Revision

Sheet  
**1 of 2**



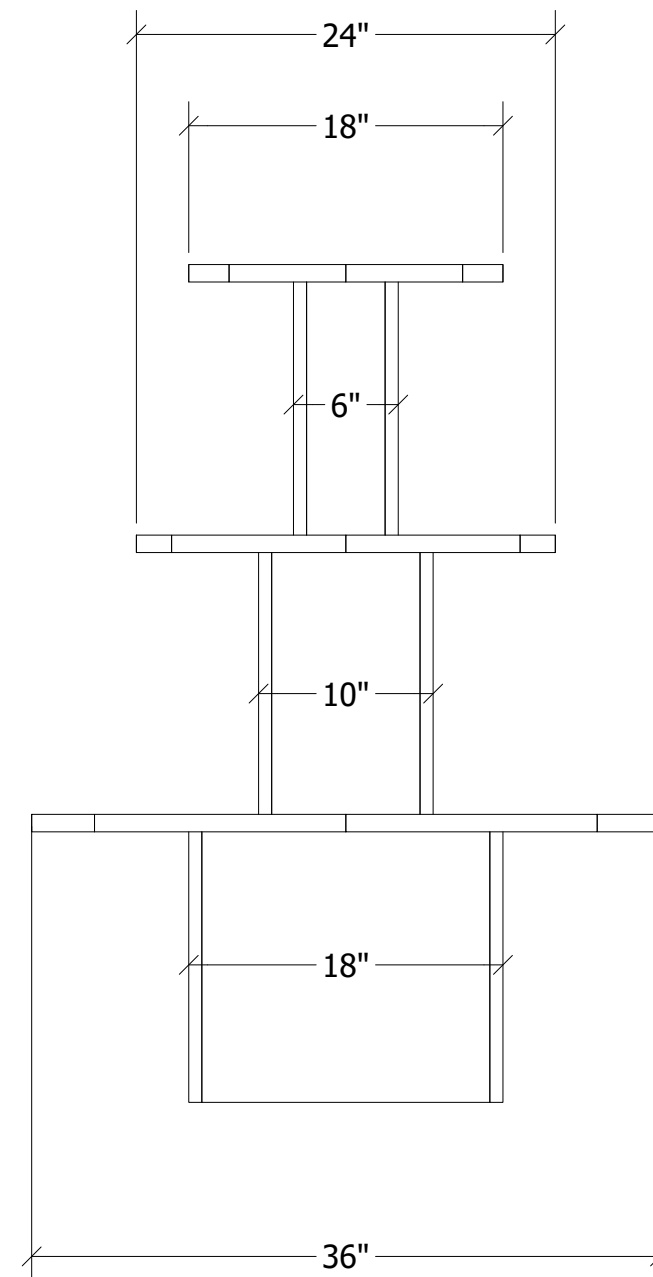
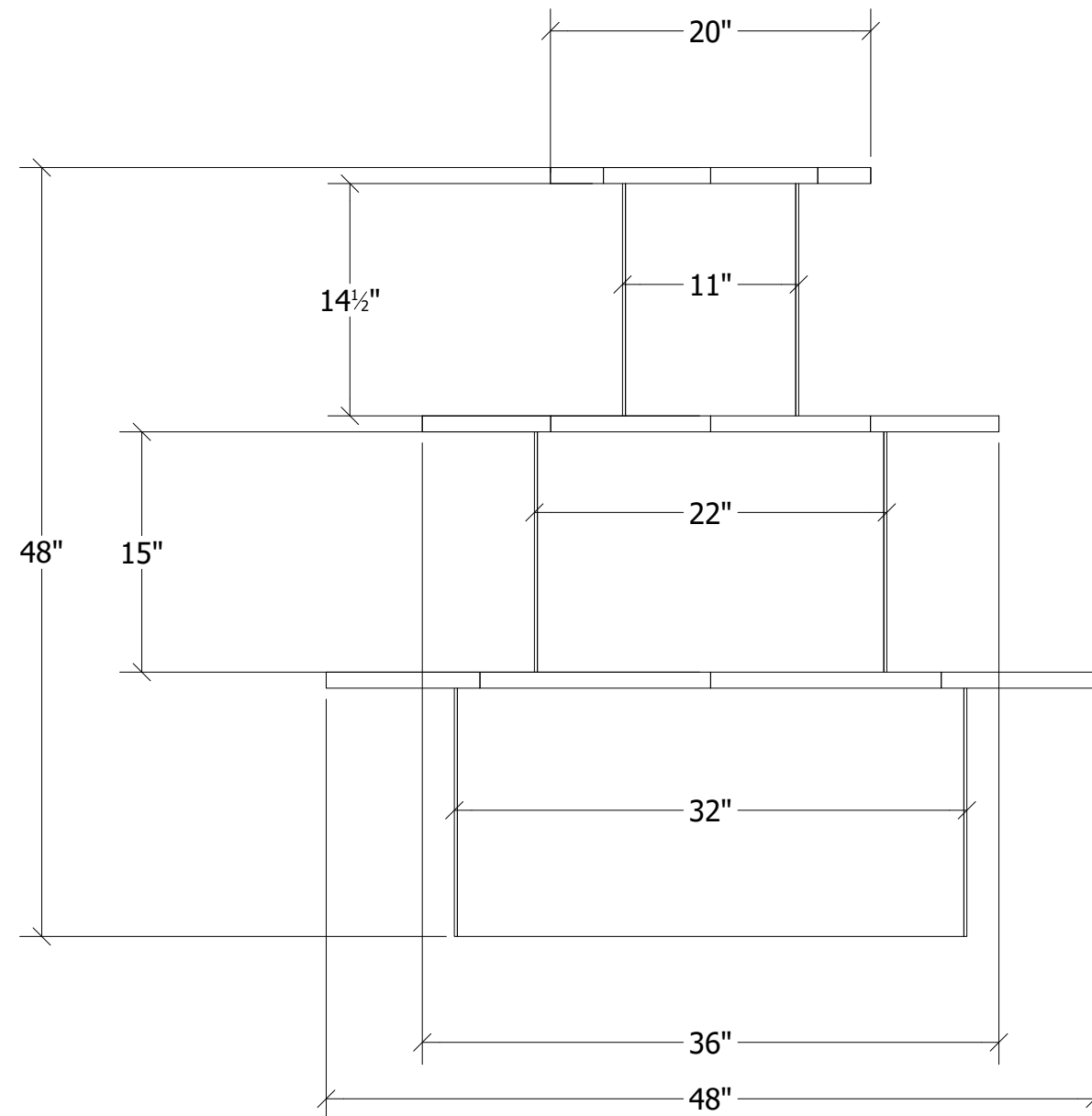
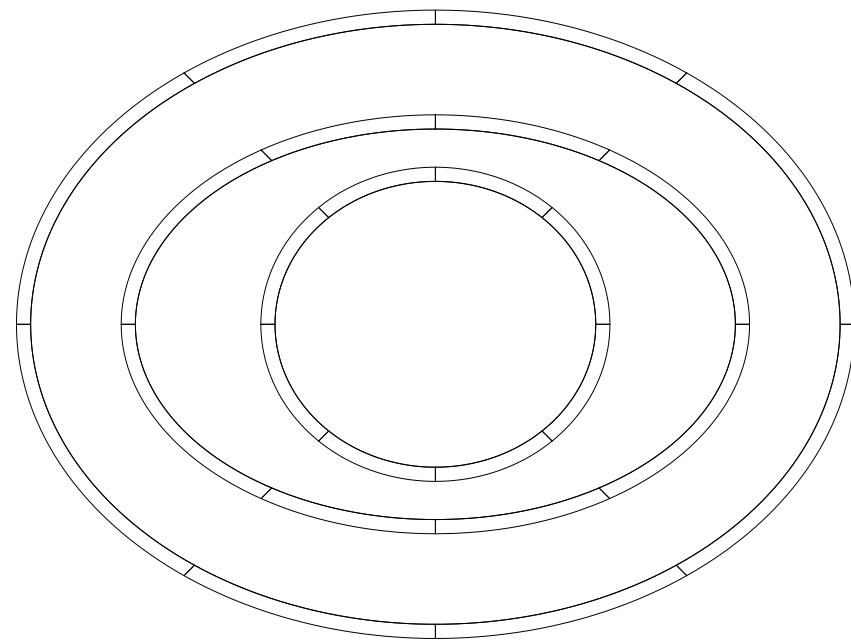
**HALE**  
SOLID. SINCE 1907.

Project Name

Title

PLAN

Job Info



Engineer

admin

Revision

Sheet

2 of 2