

HALE
SOLID. SINCE 1907.

Project Name

Title
OVERALL

Job Info

Engineer
COREY NEWTON

Revision

Sheet
1 of 2

CONCEPT DRAWING, MAY VARY AFTER ENGINEERING
COLOR DOES NOT REPRESENT FINAL FINISH, ONLY VISUAL

CONCEPT DRAWING, MAY VARY AFTER ENGINEERING
 COLOR DOES NOT REPRESENT FINAL FINISH, ONLY VISUAL

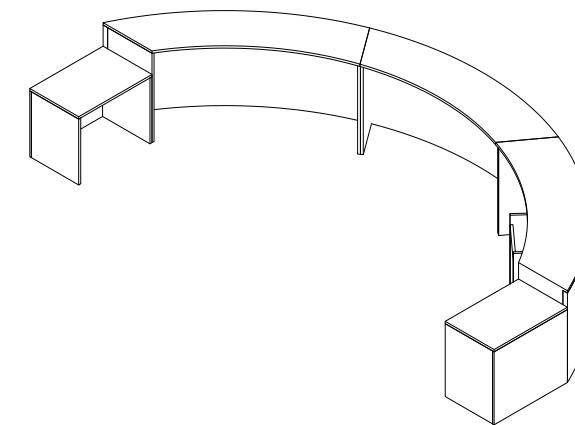
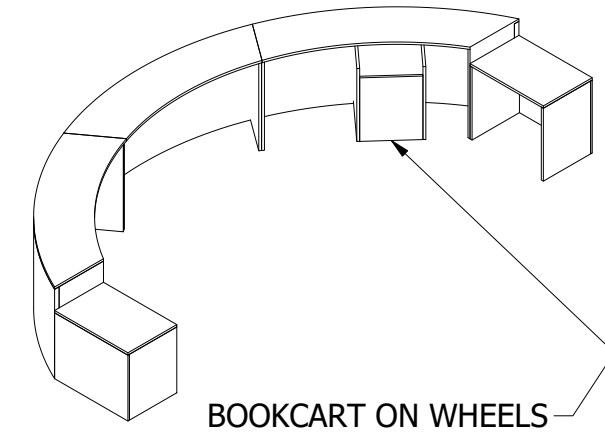
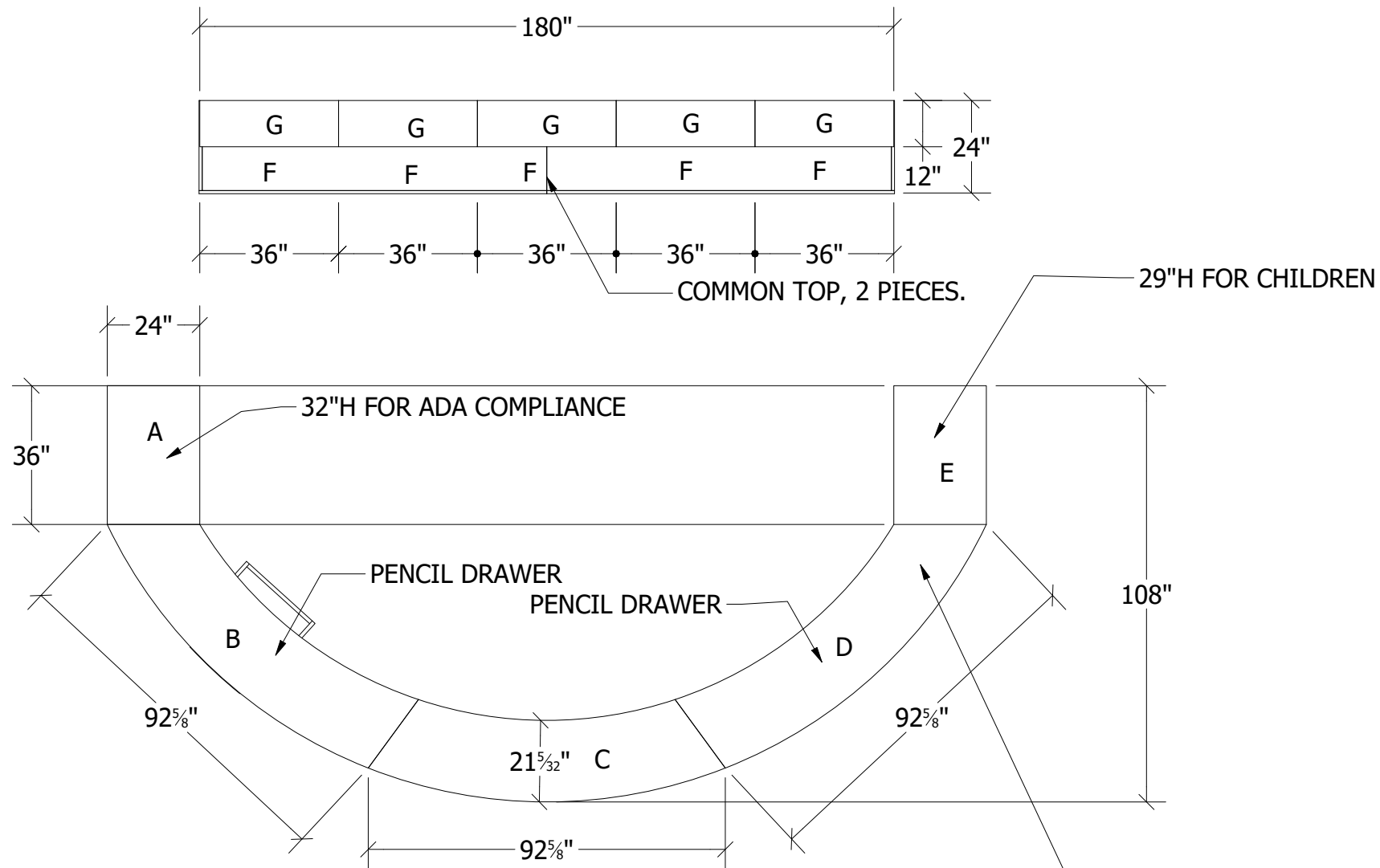


HALE
 SOLID. SINCE 1907.

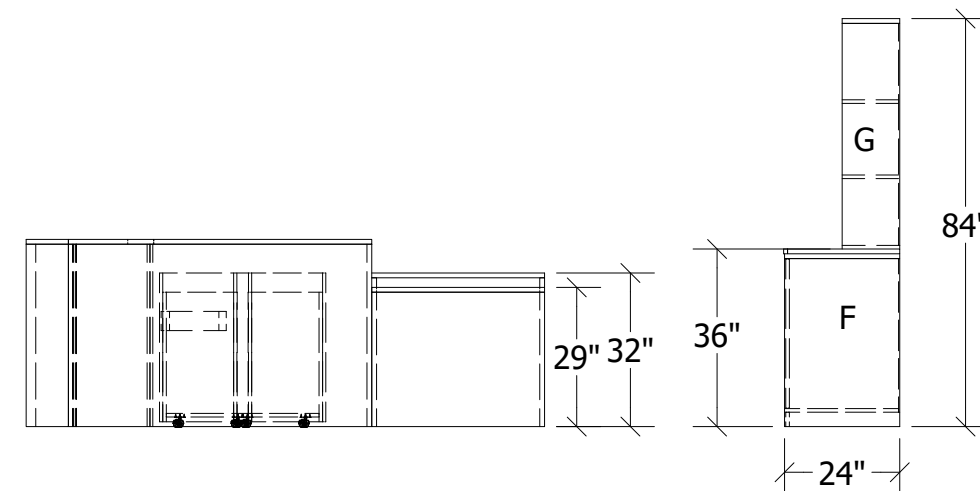
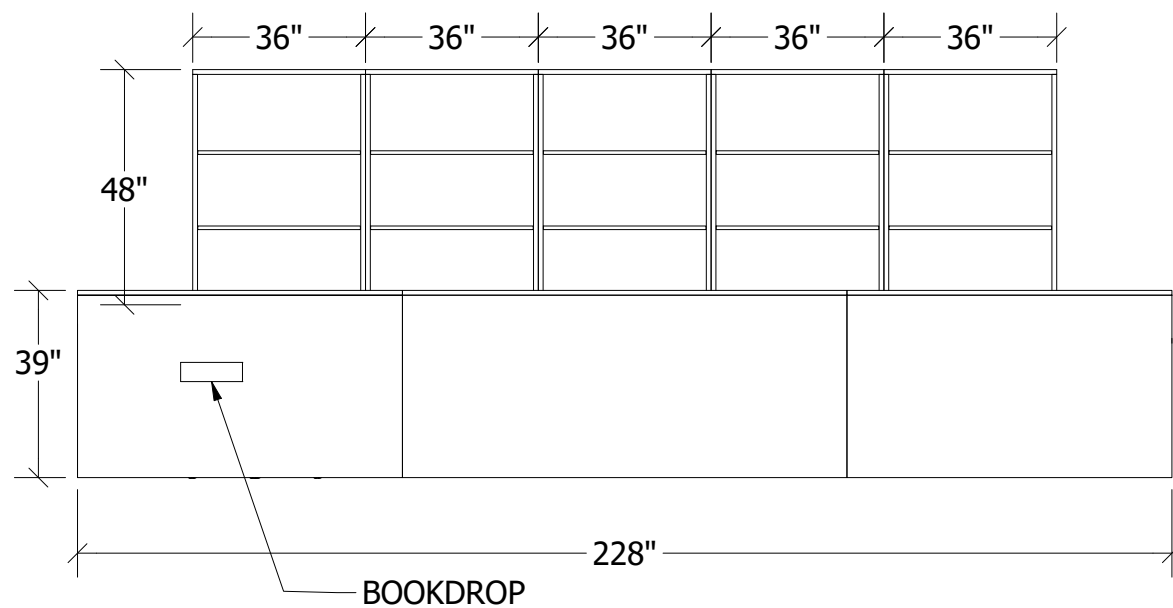
Project Name

Title
 PLAN

Job Info



DUE TO LARGE RADIUS WORKSURFACE DEPTH IS LESS ON CURVE THAN ON STRAIGHT STATIONS ON ENDS.



Engineer
 COREY NEWTON

Revision

Sheet
 2 of 2