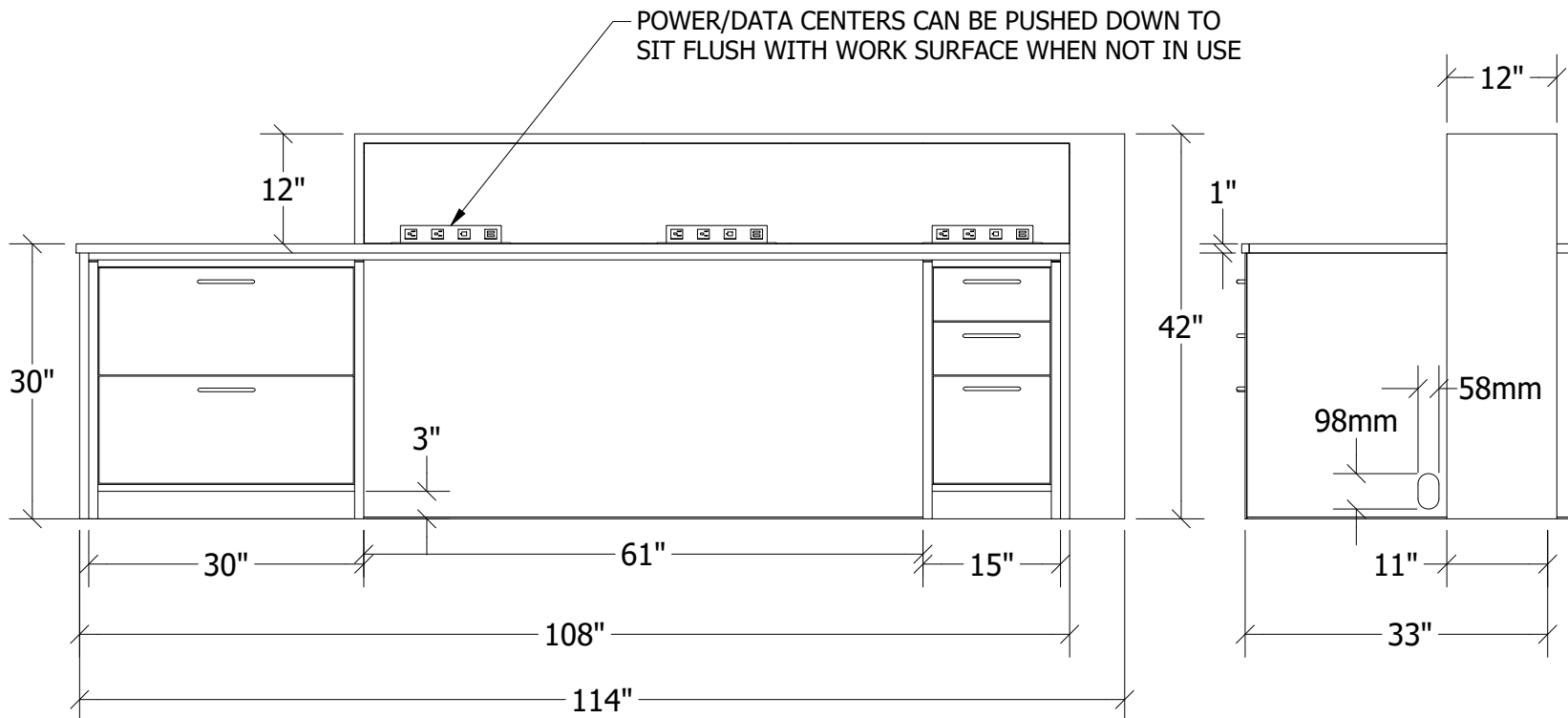
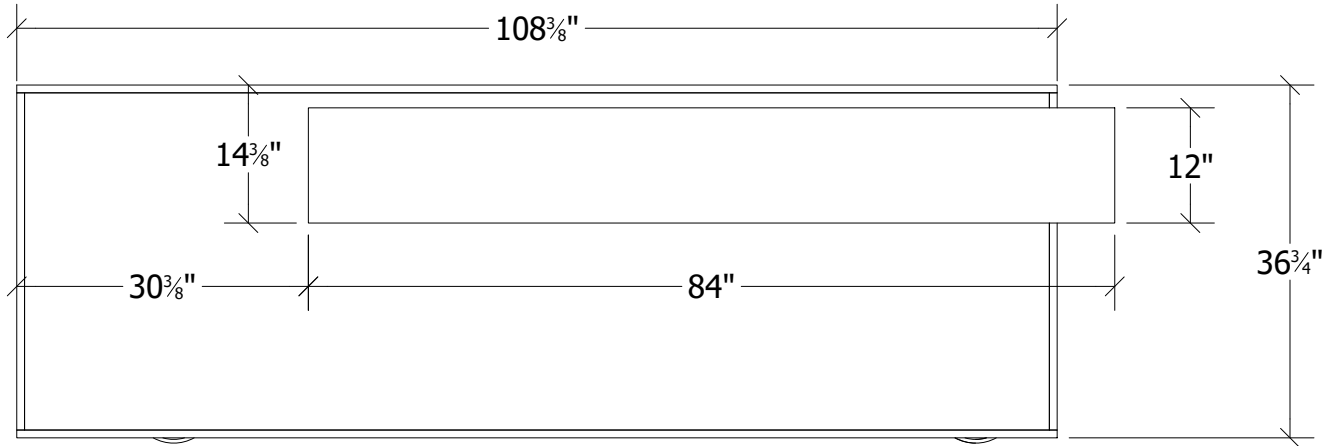




HALE

SOLID. SINCE 1907.



POWER/DATA CENTERS CAN BE PUSHED DOWN TO SIT FLUSH WITH WORK SURFACE WHEN NOT IN USE

MATERIAL	QTY
TBD	
NOTES	

ENGINEER	ALEX L
ENGINEERING	4/16/2020
APPROVAL	___ / ___
ROUGH MILL	___ / ___
SLIDER	___ / ___
MACHINING	___ / ___
ASSEMBLY	___ / ___
FINISHING	___ / ___
SHEET	

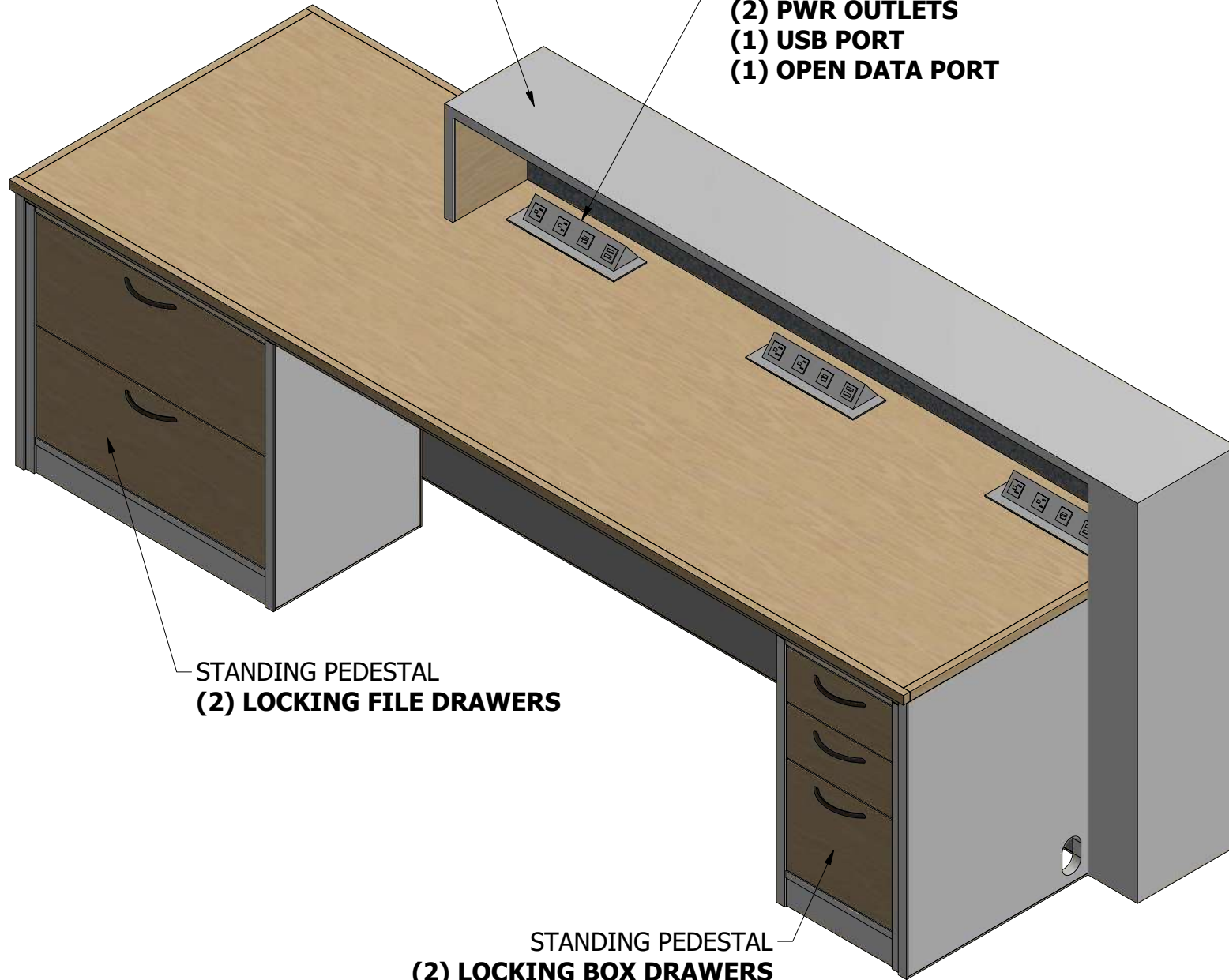


HALE

SOLID. SINCE 1907.

CORIAN TRANSACTION
(ATTACHED TO PLYWOOD SUB-FRAME)

IN-SURFACE POWER/DATA CENTER TYP
(2) PWR OUTLETS
(1) USB PORT
(1) OPEN DATA PORT



STANDING PEDESTAL
(2) LOCKING FILE DRAWERS

STANDING PEDESTAL
(2) LOCKING BOX DRAWERS
(1) LOCKING FILE DRAWER

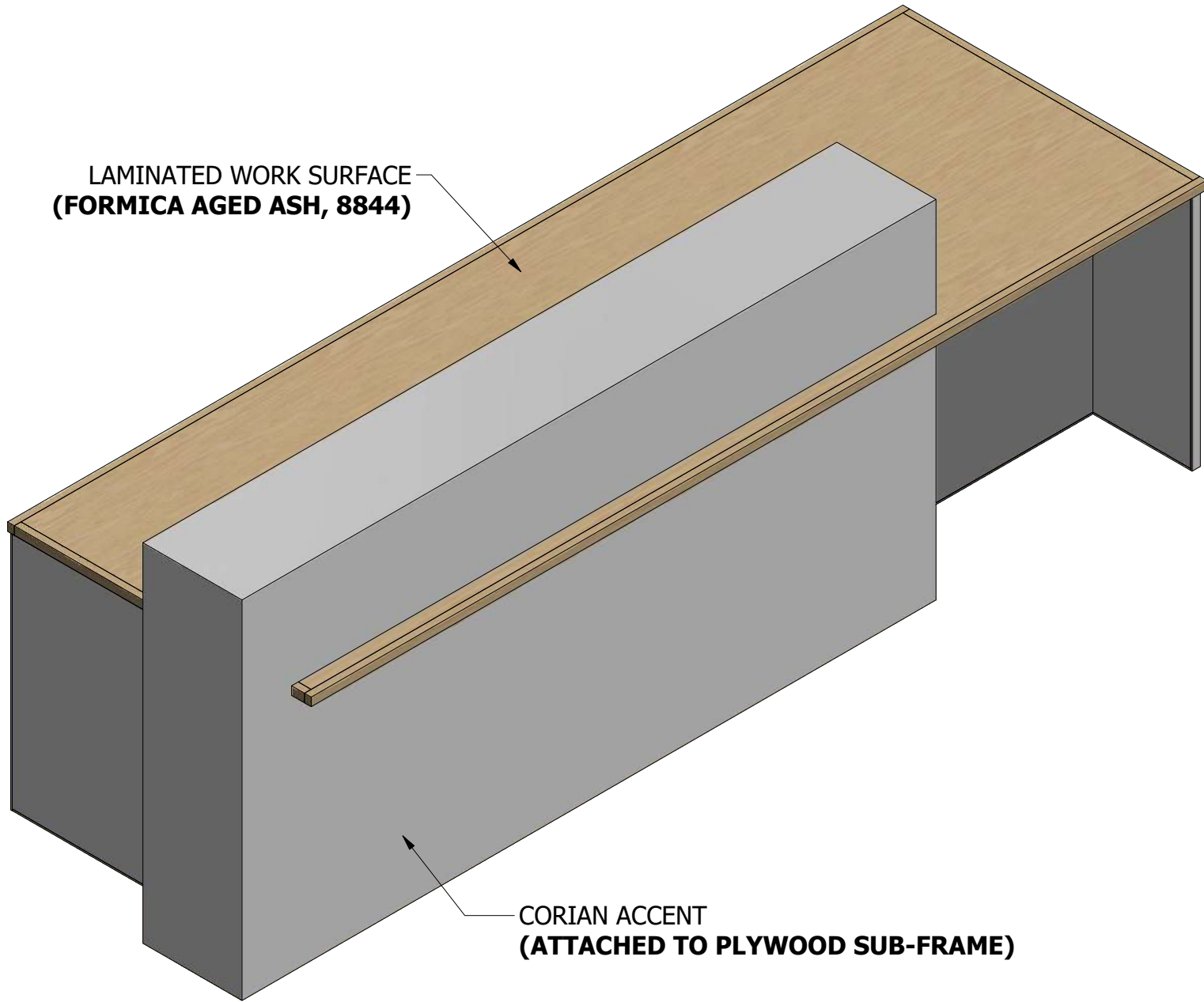
MATERIAL	QTY
TBD	
NOTES	

ENGINEER	ALEX L
ENGINEERING	4/16/2020
APPROVAL	__ / __
ROUGH MILL	__ / __
SLIDER	__ / __
MACHINING	__ / __
ASSEMBLY	__ / __
FINISHING	__ / __
SHEET	



HALE

SOLID. SINCE 1907.



LAMINATED WORK SURFACE
(FORMICA AGED ASH, 8844)

CORIAN ACCENT
(ATTACHED TO PLYWOOD SUB-FRAME)

MATERIAL	QTY
TBD	

NOTES

ENGINEER **ALEX L**

ENGINEERING **4/16/2020**

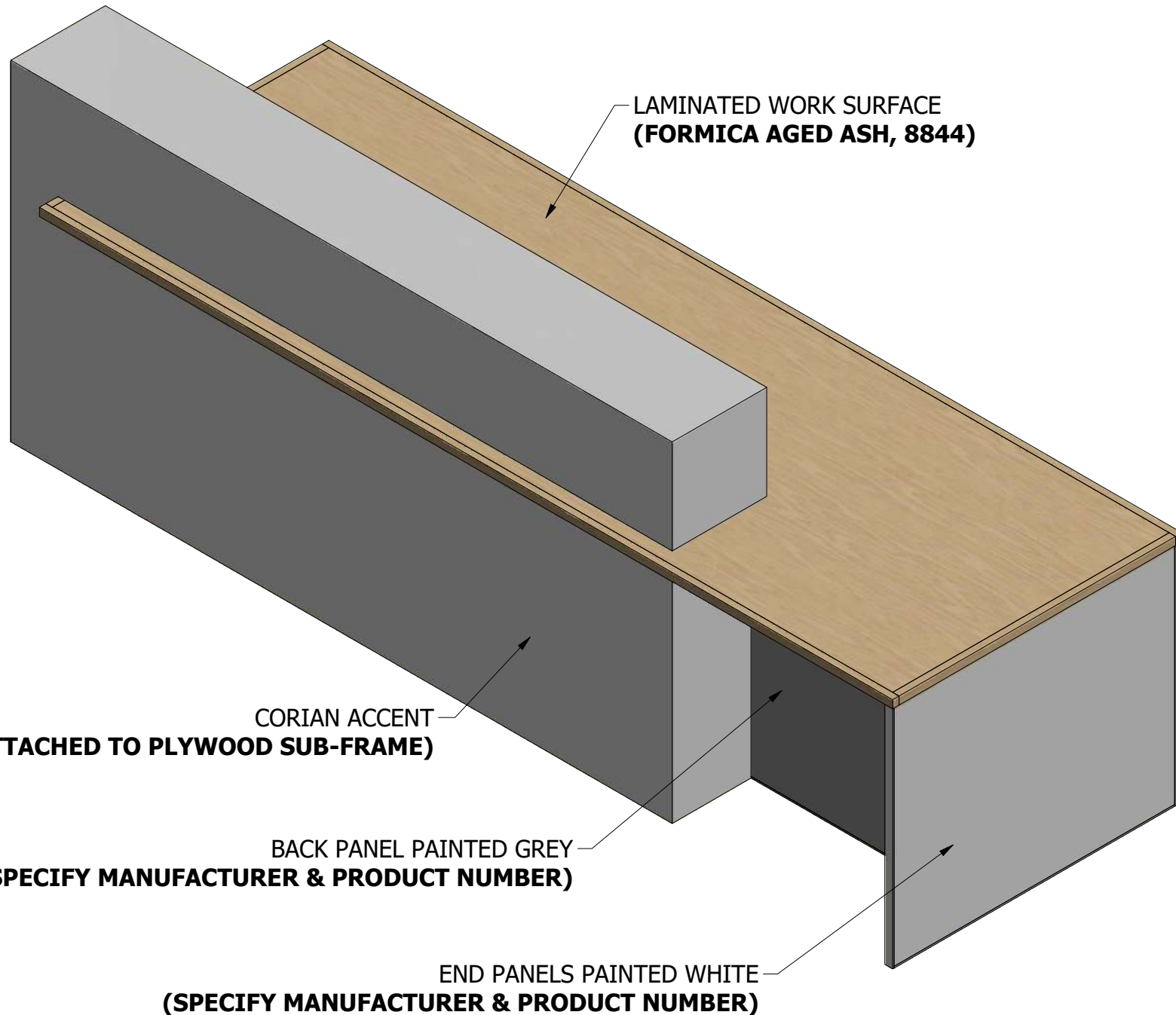
- APPROVAL ___ / ___
- ROUGH MILL ___ / ___
- SLIDER ___ / ___
- MACHINING ___ / ___
- ASSEMBLY ___ / ___
- FINISHING ___ / ___

SHEET



HALE

SOLID. SINCE 1907.

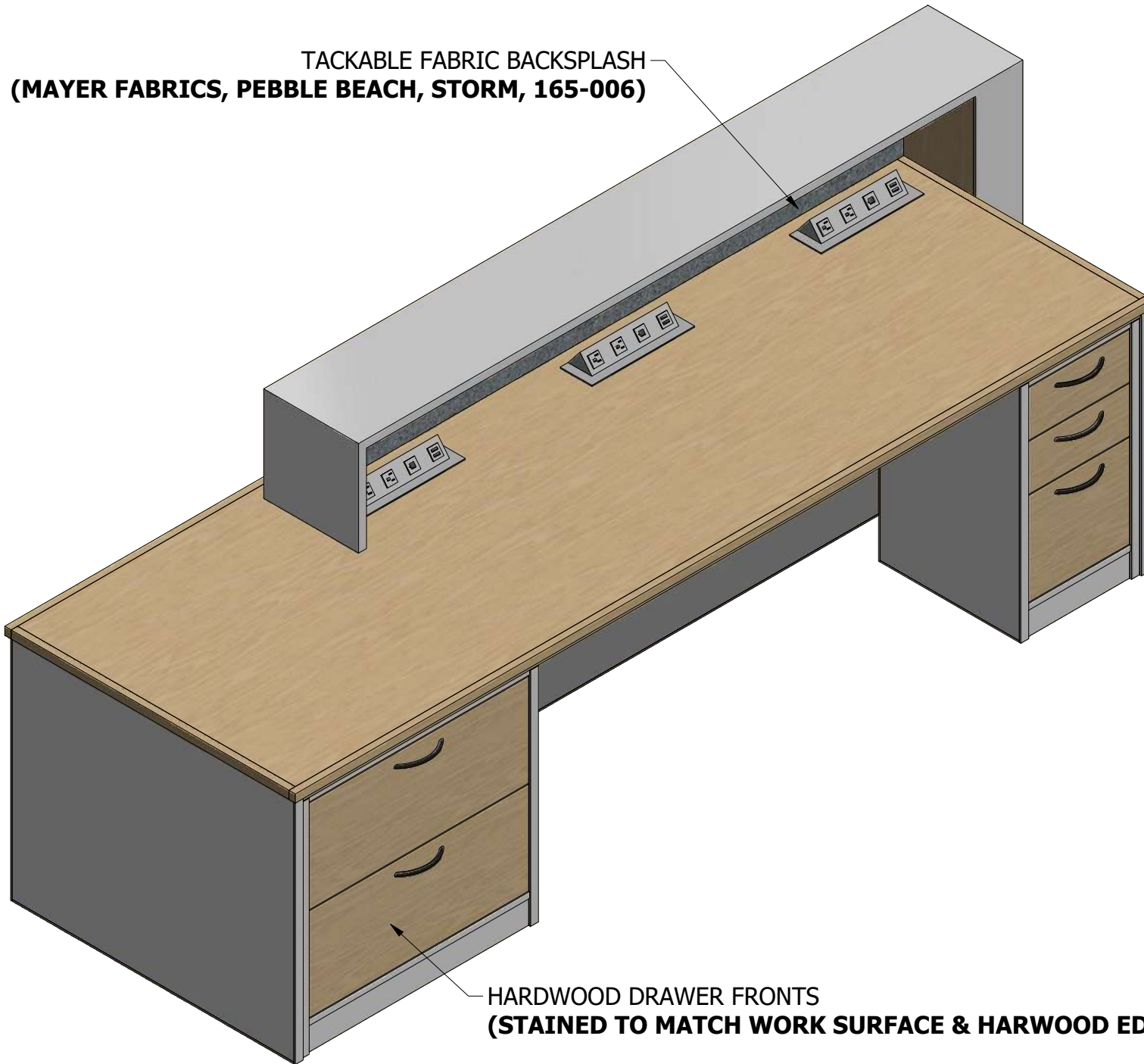


MATERIAL	QTY
TBD	
NOTES	

ENGINEER	ALEX L
ENGINEERING	4/16/2020
APPROVAL	__ / __
ROUGH MILL	__ / __
SLIDER	__ / __
MACHINING	__ / __
ASSEMBLY	__ / __
FINISHING	__ / __

SHEET	4 OF 7
-------	--------

TACKABLE FABRIC BACKSPLASH
 (MAYER FABRICS, PEBBLE BEACH, STORM, 165-006)



HARDWOOD DRAWER FRONTS
 (STAINED TO MATCH WORK SURFACE & HARWOOD EDGING)



HALE

SOLID. SINCE 1907.

MATERIAL	QTY
TBD	
NOTES	

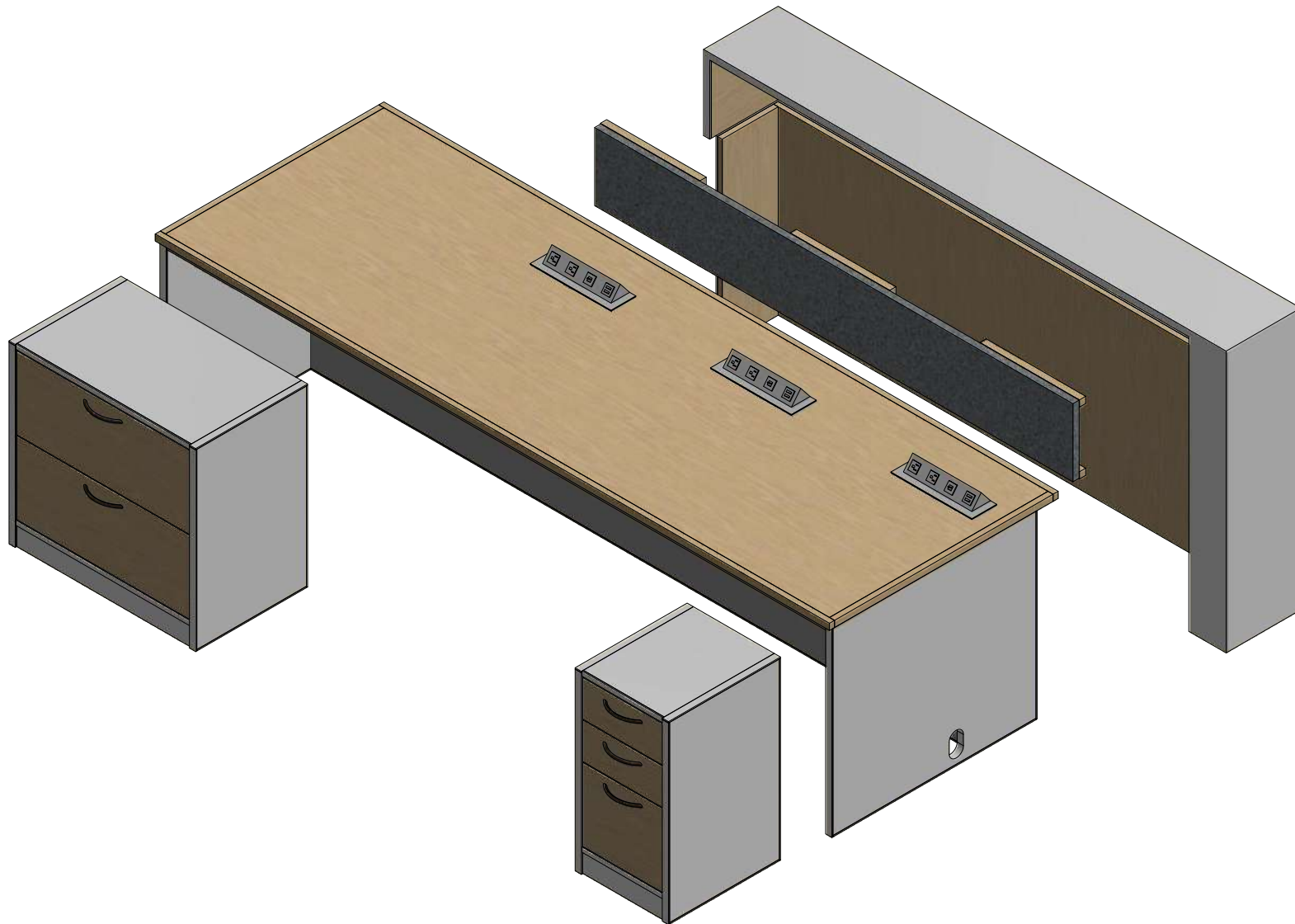
ENGINEER	ALEX L
ENGINEERING	4/16/2020
APPROVAL	__ / __
ROUGH MILL	__ / __
SLIDER	__ / __
MACHINING	__ / __
ASSEMBLY	__ / __
FINISHING	__ / __

SHEET



HALE

SOLID. SINCE 1907.



MATERIAL	QTY
TBD	
NOTES	

ENGINEER **ALEX L**

ENGINEERING **4/16/2020**

APPROVAL /

ROUGH MILL /

SLIDER /

MACHINING /

ASSEMBLY /

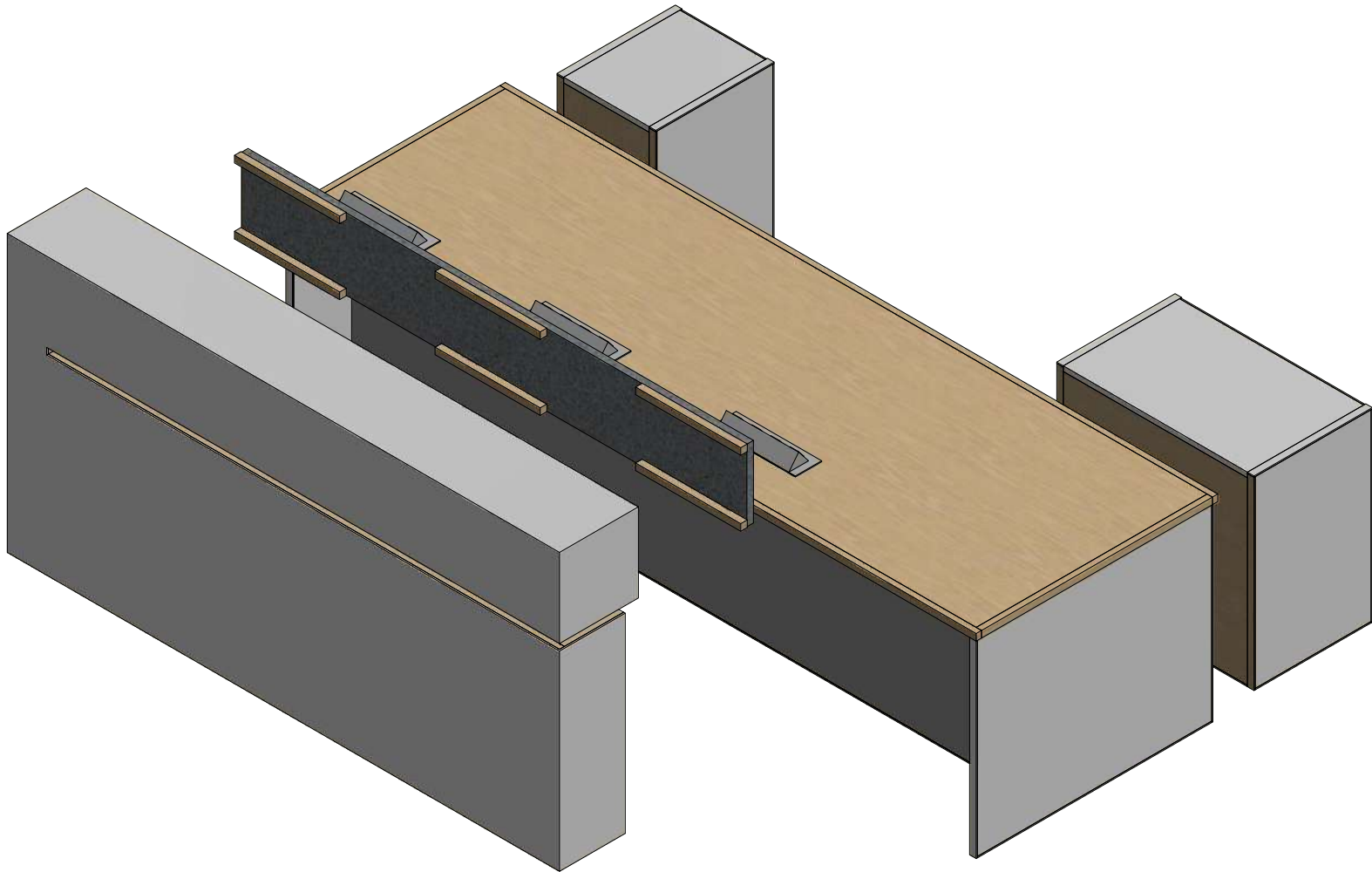
FINISHING /

SHEET



HALE

SOLID. SINCE 1907.



MATERIAL	QTY
TBD	

NOTES

ENGINEER
ALEX L

ENGINEERING
4/16/2020

APPROVAL ___ / ___
ROUGH MILL ___ / ___
SLIDER ___ / ___
MACHINING ___ / ___
ASSEMBLY ___ / ___
FINISHING ___ / ___

SHEET