



HALE

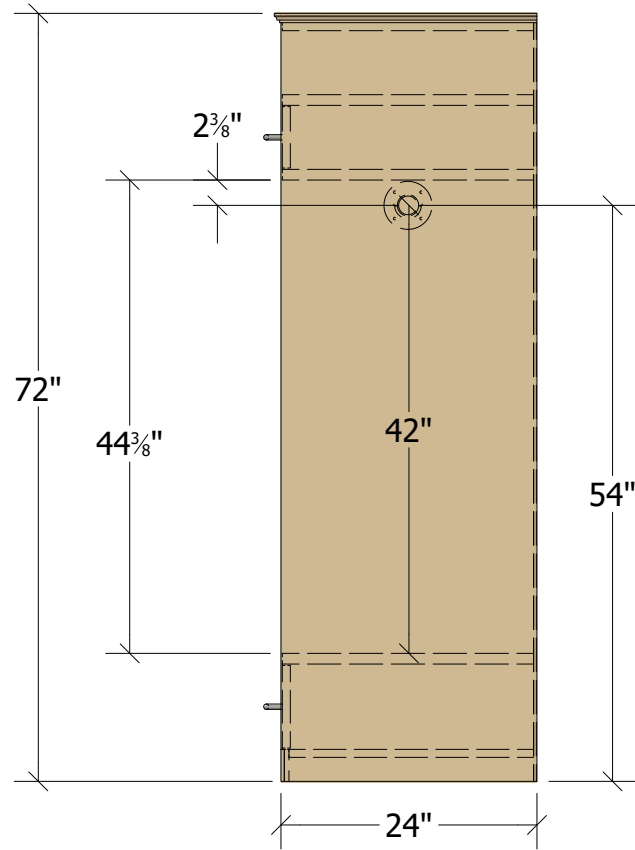
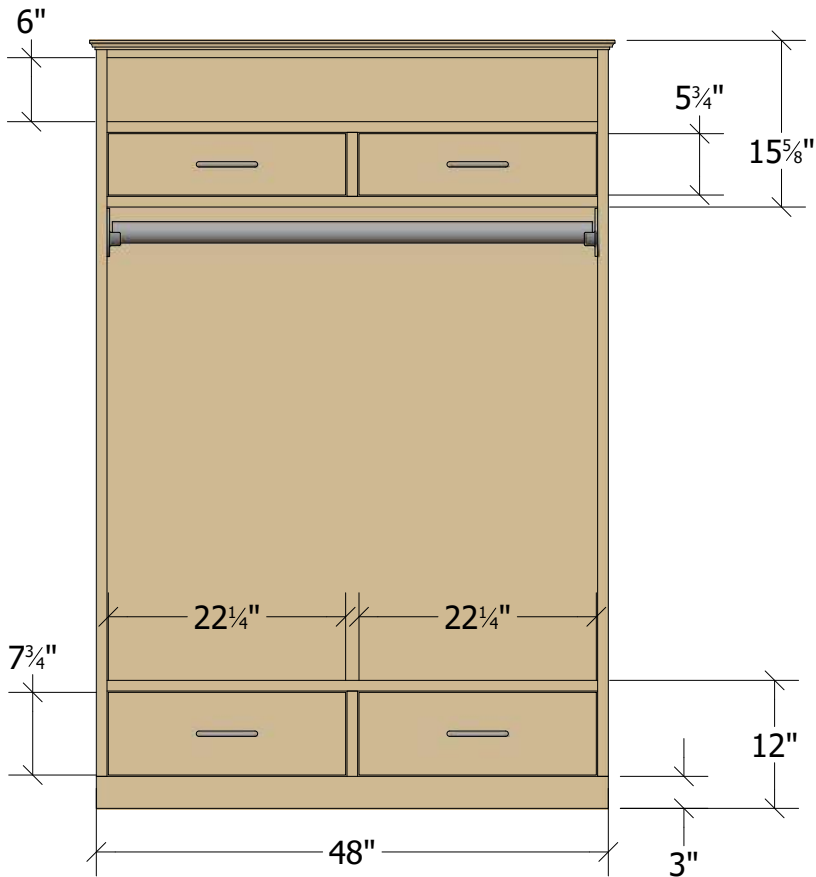
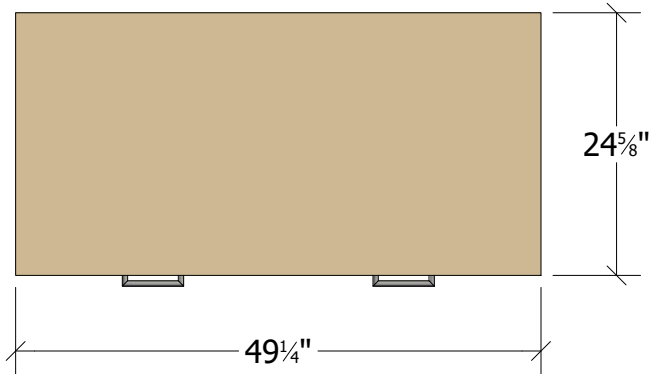
SOLID. SINCE 1907.

MATERIAL	QTY

NOTES
1.) This is a concept drawing, changes may occur after further engineering and customer feedback
2.) Colors shown don't represent finish on final product, they are only for reference

ENGINEER	ALEX L
ENGINEERING	
REV 1	10/10/2019
APPROVAL	__ / __
ROUGH MILL	__ / __
SLIDER	__ / __
MACHINING	__ / __
ASSEMBLY	__ / __
FINISHING	__ / __

SHEET 1 OF 2





HALE

SOLID. SINCE 1907.



TOP PROFILE CAN BE SELECTED
(SCOTT TRADITIONAL IS SHOWN)

PULL-OUT STORAGE DRAWER

COAT RACK BAR
(SET AT 54" FROM FLOOR)

SHOE/BOOT STORAGE

PULL-OUT STORAGE DRAWER

MATERIAL	QTY

NOTES
1.) This is a concept drawing, changes may occur after further engineering and customer feedback
2.) Colors shown don't represent finish on final product, they are only for reference

ENGINEER
ALEX L

ENGINEERING
REV 1 10/10/2019

APPROVAL ___ / ___
ROUGH MILL ___ / ___
SLIDER ___ / ___
MACHINING ___ / ___
ASSEMBLY ___ / ___
FINISHING ___ / ___

SHEET