

**CUSTOM COURTROOM BENCH  
(38"H x 72"W x 20"D)**

FLAT PANEL ENDS WITH 7/8" STICKS  
 ENDS ARE FLARED TOWARD BACK  
 ENDS DO NOT GET MACHINED FOR L-BRACKET CUT-OUTS  
**\*EVERYTHING EXCEPT FOR ENDS IS STANDARD\***



**HALE**

SOLID. SINCE 1907.

MATERIAL	QTY

NOTES

ENGINEER **ALEX L.**

ENGINEERING **5/15/2019**

APPROVAL **\_\_ / \_\_**

ROUGH MILL **\_\_ / \_\_**

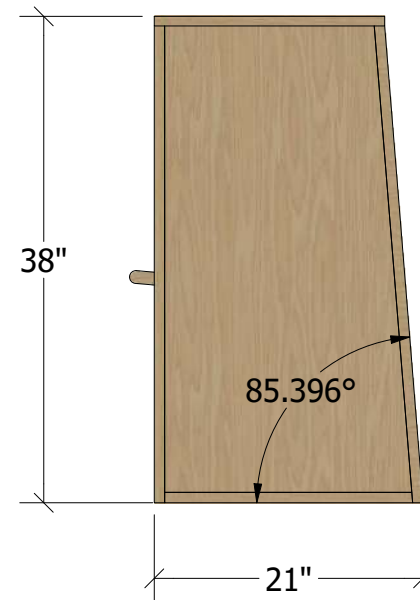
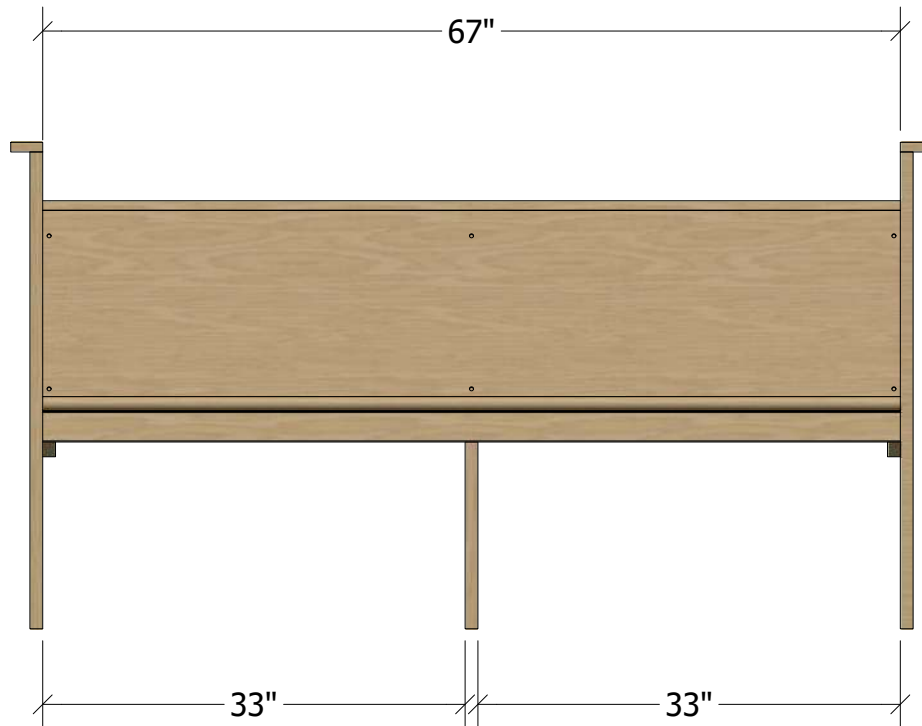
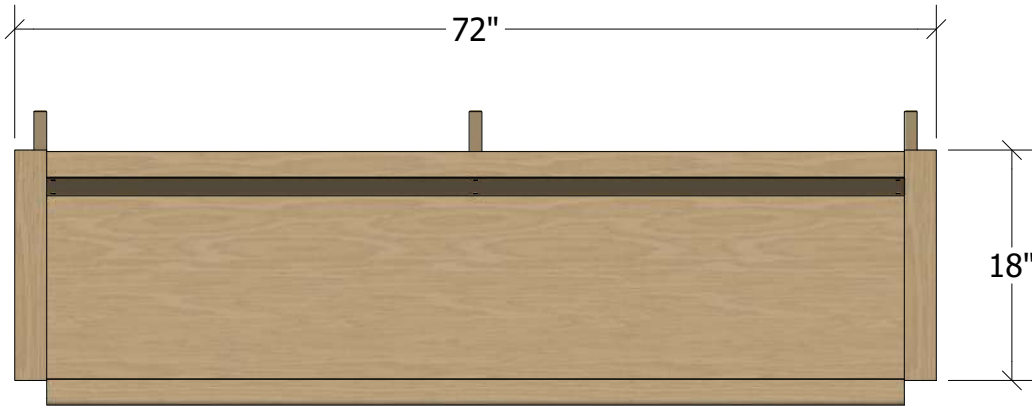
SLIDER **\_\_ / \_\_**

MACHINING **\_\_ / \_\_**

ASSEMBLY **\_\_ / \_\_**

FINISHING **\_\_ / \_\_**

SHEET **1 OF 4**



**HALE**

SOLID. SINCE 1907.

MATERIAL	QTY

NOTES

ENGINEER **ALEX L.**

ENGINEERING **5/15/2019**

APPROVAL  /

ROUGH MILL  /

SLIDER  /

MACHINING  /

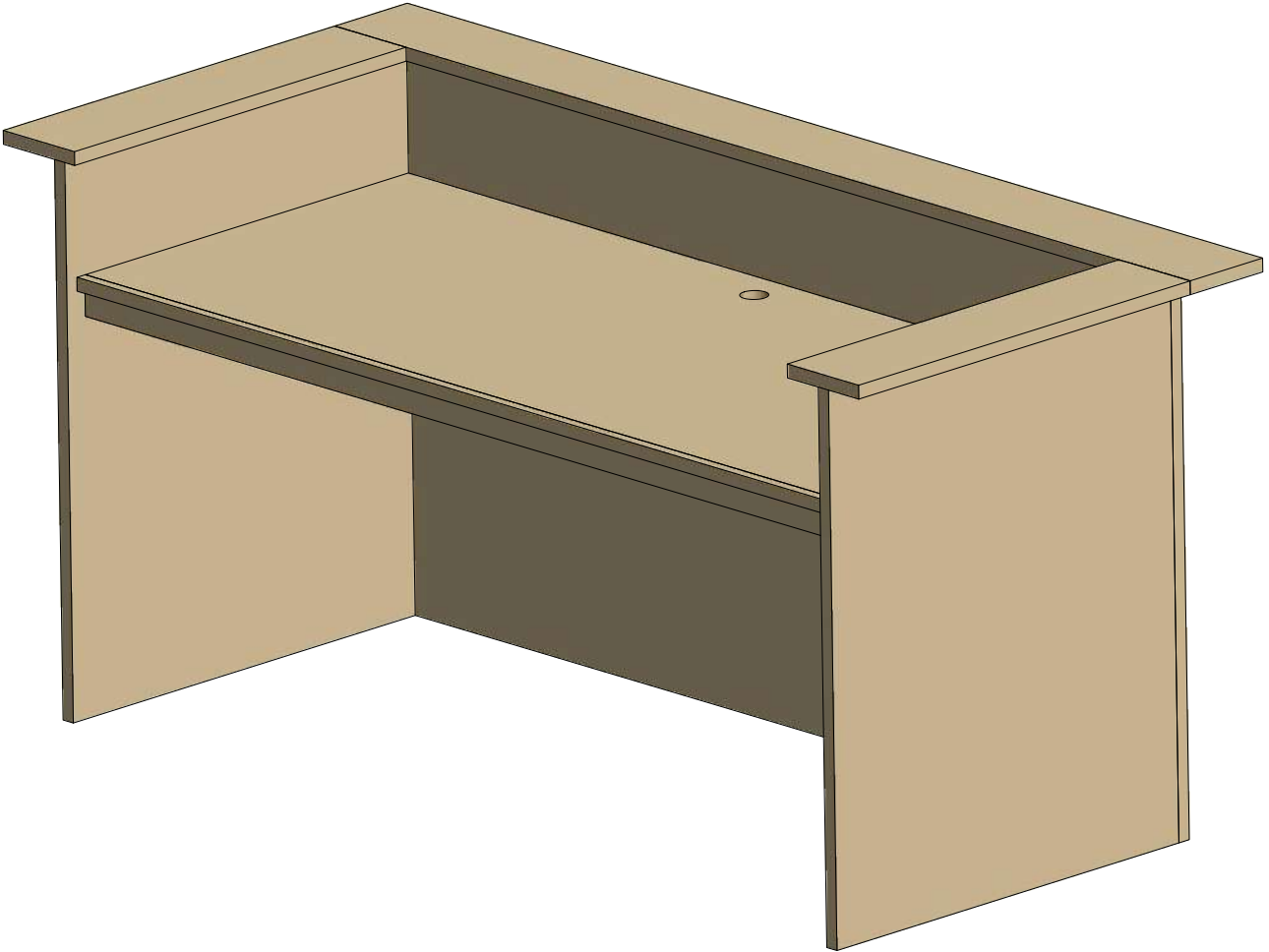
ASSEMBLY  /

FINISHING  /

SHEET

**CUSTOM JUDGE'S BENCH  
(42"H x 84"W x 36"D)**

FLAT PANEL ENDS AND FRONT  
**\*FRONT PANEL NEEDS TO BE VENEERED\***  
 7"W TOP CAP  
 1 GROMMET IN WORK SURFACE  
 (CENTERED TOWARD REAR)  
 HPL WORK SURFACE  
**(WILSONART SHAKER CHERRY, 7935-07)**



**HALE**  
SOLID. SINCE 1907.

MATERIAL	QTY

NOTES

ENGINEER **ALEX L.**

ENGINEERING **5/15/2019**

APPROVAL	___ / ___
ROUGH MILL	___ / ___
SLIDER	___ / ___
MACHINING	___ / ___
ASSEMBLY	___ / ___
FINISHING	___ / ___

SHEET **3 OF 4**



**HALE**

SOLID. SINCE 1907.

MATERIAL	QTY
----------	-----

NOTES

ENGINEER

ALEX L.

ENGINEERING

5/15/2019

APPROVAL \_\_\_ / \_\_\_

ROUGH MILL \_\_\_ / \_\_\_

SLIDER \_\_\_ / \_\_\_

MACHINING \_\_\_ / \_\_\_

ASSEMBLY \_\_\_ / \_\_\_

FINISHING \_\_\_ / \_\_\_

SHEET

4 OF 4

